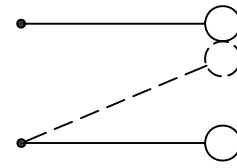
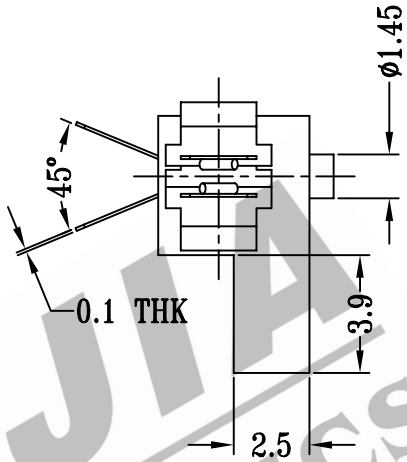
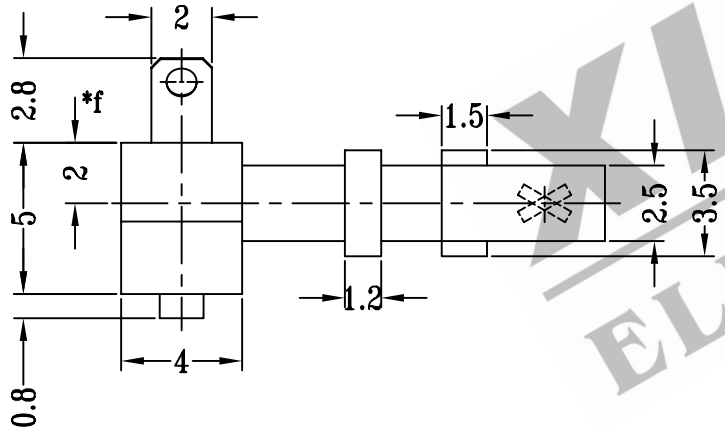
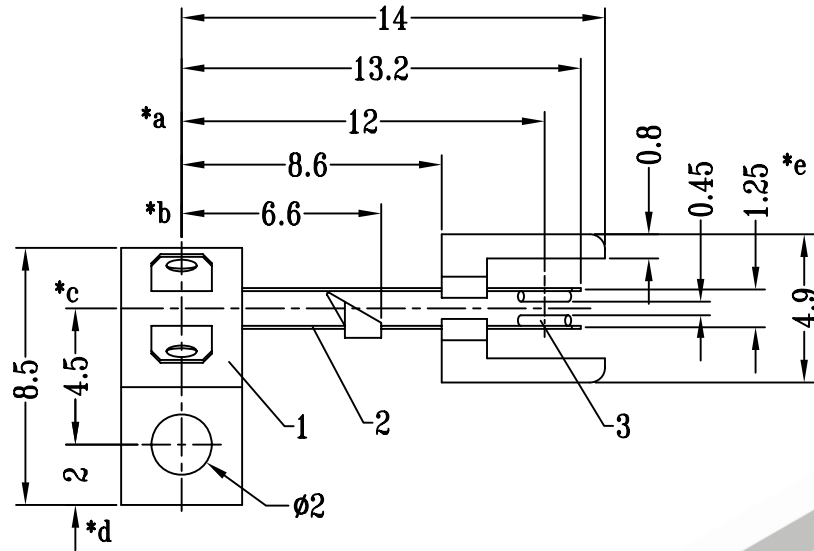


CAD FILE:



SCHEMATIC

注:带"*"表示关键尺寸(6个)

MODEL	SPRING PLATE
LF-024	G=GOLD
	N=NICKEL
	S=SILVER
	X=NIL

8					
7					
6					
5					
4					
3	CONTACT	SILVER WIRE	2	NATURAL	
2	SPRING PLATE	PBS STRIP	2	NATURAL	
1	CASE	POM	1	BLACK	
NO.	PARTS	MATERIALS	Q'TY	FINISH	

TOLERANCE UNLESS SPECIFIED		SHENZHEN XIEJIA ELECTRONICS CO.,LTD.			
WITHIN: 1.5±0.1mm OVER : 1.5±0.2mm		ISSUE	DATE	DESCRIPTIONS OF REVISION	
TITLE : LEAF SWITCH		UNIT : mm	DRWG NO.: XJ-DR-LF024-00		
MODEL: LF-024		SCALE: 4:1	DWN.	ZHOUYU	2000-9-1
			CHK'D	FANGYING	2000-9-1
ALL MATERIALS MUST BE COMPLIANT TO ROHS			APPD.	KANGXINAN	2000-9-1